

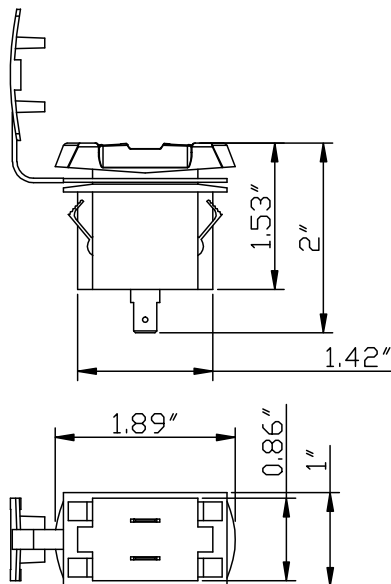
Homdee® Dual USB Power Socket

This USB Car Charger suitable for the installation of all 12-24V voltage vehicles, such as cars, motorcycles, busses, ships, RVs, yachts, trailers, etc. With a waterproof and dustproof cover, it can be covered to protect the product when it is not applicable. It is widely used in electrical products that require power, such as vehicles, PS, mobile phones, digital cameras, MP3, etc.



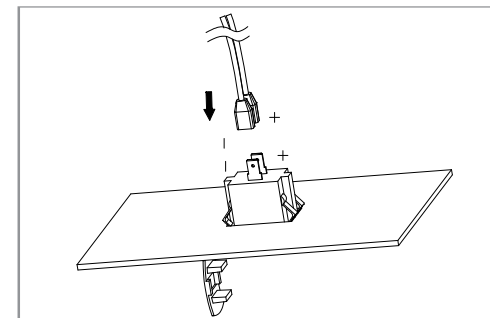
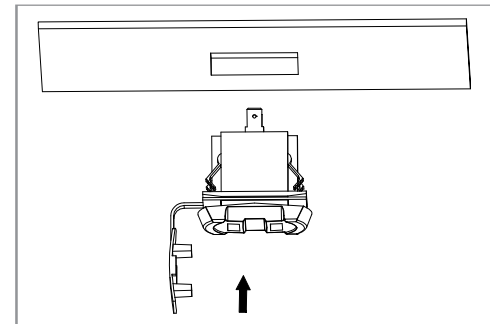
USB CHARGER SPECIFICATIONS:

1. 2 USB charging ports with voltage display
2. Standard fixing ring
3. Product material: PA66 nylon high and low temperature resistant flame retardant environmental protection material
4. Power cord: cords with fuse overload protection, 60CM
5. Input voltage: DC12V 20A, DC24V 10A
6. Output current: 4.8A (2.4+2.4)
7. Output voltage: 5V
8. Voltage test range: 6-30V
9. Charging: dual USB interface intelligent distribution
10. Product weight: 0.98oz



INSTALLATION STEPS

1. Open a mounting hole in your car according to the product size.
2. Contact the wire according to instructions.
Red wire=Positive(+) Black wire=Negative(-).



LIMITED ONE YEAR WARRANTY

If within one(1) year from the date of purchase, the product fails due to a defect in material or workmanship, WaysPride LLC(Genesis Lighting) will repair or replace it free of charge. WaysPride LLC will not be liable for incidental or consequential damages to purchases, or any other party. For any loss, damage, injury or expense of any kind or nature caused directly or indirectly by the product or the failure of the product to operate properly. Warranty service is available by mailing postage prepaid to WaysPride LLC. 17 McMillan way KH0135 Newark De 19713. A valid copy of original invoice and return merchandise authorization (or RMA) are required for all warranty services.